



Button Panel Station

The Pharos BPS (Button Panel Station) is a versatile 8-button station with integrated button LEDs that works with any Pharos Designer Controller. The stylish BPS is available in a range of finishes and there are two variants for compatibility with either US or UK back boxes. Install is easy and convenient as the BPS only requires a single Power-over-Ethernet (PoE) network connection.



BPS Features



Designer Trigger

Timing is everything. Whatever the stimulus, Designer Trigger can handle it. You can control your lighting with responsive, reactive programming. Designer Trigger is a rules engine that uses conditional logic and a broad range of interfaces and protocols. Send and receive any command, to and from any system. Conditional logic is supported, along with a powerful built-in scripting language for unlimited flexibility.



Sleek Design

An embossed magnetic overlay sits within a low-profile bezel that is only 5.5mm thick to give a sleek finish with no visible fixings. Both the bezel and the overlay are available in a variety of colours. There are two variants for compatibility with either US or UK back boxes.



Scalable

Up to 200 Remote Devices can be combined with one or more Pharos Designer Controllers on the same network to build the ideal system for your installation. Each Remote Device is easily addressed using a convenient thumb wheel. Whether one Controller or many, it's all easily programmed using our Designer software.



Buttons

The function of each of the 8 buttons is freely programmable and the system can detect press, hold, repeat and release events.



LEDs

Each button has a white LED indicator with fully user-controllable brightness and a choice of visual effects such as fades, fast or slow flashing or ramps.



Power-over-Ethernet

As a Power-over-Ethernet (PoE) device, the RIO can be placed at any remote location and only needs a single Cat5 cable that provides both power and data.



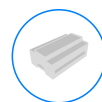
Learning IR

The BPS may be taught to recognise up to 8 different IR codes from a standard infra-red remote control. When one of these keys on the remote control is pressed the BPS will treat that as a press on its own button.



Pharos Designer

Programmed and configured using the free Pharos Designer software – available for Windows or Mac OS X – with upload over Ethernet.



Network

Works with any Pharos Designer Controller and links to it using standard protocols over an Ethernet network.



Capabilities

Buttons	8 high-reliability, tactile buttons with detection of press, held, repeat, release and clicked Security (PIN) and multi-key features supported
LEDs	Each button has an individual white LED indicator with variable brightness and flash effect options
Infra-red	Learning IR allows any standard remote control to be used to activate button presses

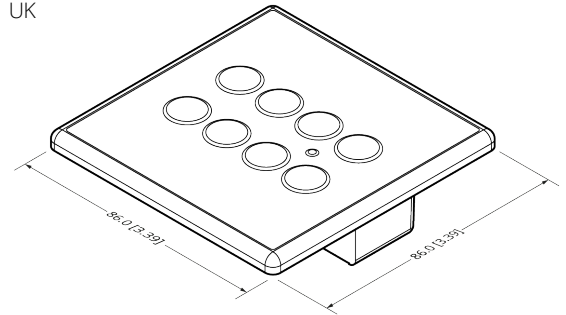
Interfaces

Ethernet	RJ45 socket for 10/100Base-TX Ethernet with Link/Data LEDs; Static IP or DHCP; Power-over-Ethernet (PoE)
-----------------	--

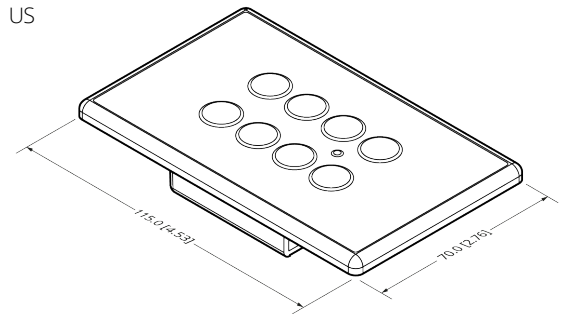
Specifications

Power Required	PoE (IEEE802.3af, Class 1) 1.5W typical
Addressing	Any Pharos Designer Controller
Temperature	By rotary selector switch
Humidity	0°C to 50°C (32°F to 122°F)
ingress	10-50% relative, non-condensing
Physical	IP40
Recovery	Flush-mounting wall panel with variants suitable for standard single-gang UK or US backboxes 0.3 kg (0.7 lbs) Hardware watchdog and recessed reset button

UK



US



Order Code & Variants

BPS UK BB	Designer Button Panel Station UK Black-on-Black (Magnetic Overlay)
BPS UK CC	Designer Button Panel Station UK Cream-on-Cream (Magnetic Overlay)
BPS UK WW	Designer Button Panel Station UK White-on-White (Magnetic Overlay)
BPS US BB	Designer Button Panel Station US Black-on-Black (Magnetic Overlay)
BPS US CC	Designer Button Panel Station US Cream-on-Cream (Magnetic Overlay)
BPS US WW	Designer Button Panel Station US White-on-White (Magnetic Overlay)

Pharos Designer Controller required

Warranty & Certifications

Warranty	5 years
Certifications	CE compliant, UKCA compliant, ETL/cETL listed.



Distributed in the UK by Experience Lighting Limited
www.experiencelighting.co.uk
 01296 340340
info@experiencelighting.co.uk