



artLynx quad

Category

Art-Net & sACN

Description

Four univserse Art-Net/sACN to DMX512 & RDM converter. All 4 ports are bidirectional and also support DMX512 to Art-Net/sACN conversion.

Mechanical

- Housing: DIN Rail Case
- Material: Polycarbonate Plastic - UL94-V0 rated
- Overall Dimensions: 88mm / 5M (W) x 90mm (H) x 62mm (D)
- Mass: 0.15kg
- Mounting: DIN Rail (35mm) or Surface Mount
- Country of Manufacture: United Kingdom

Power & Electrical

- Input Voltage: 12-48 VDC
- Input Connector: 2-pin screw terminal
- DC Power: 2.5W quiescent
- DC Power: 5W driving terminated DMX512 cable
- PoE Power: Negotiates Class 2 (3.84W – 6.49W)
- DC fuse: Internal resettable fuse for control electronics

Environmental

- Operating Temperature: 0°C to 40°C
- Storage Temperature: -10°C to +50°C
- Operating Relative Humidity (max): 80% Non-Condensing
- IP Rating: IP20 Indoor Use Only
- Certification: CE, WEEE, RoHS
- Warranty: 2 Year (Return to Base)

Configuration / Indication

- Remote: Internal web browser, DMX-Workshop
- Manual: Factory reset button / Squawk
- LED Indication: Power / Network Activity / DMX Activity



Control Protocols / Data Connections

- Ethernet: Art-Net, sACN, RDMnet LLRP
- Ethernet Connector: (1) RJ45 supports 10/100BaseT and PoE (IEEE 802.3af); isolated to 1 kV
- Output: DMX512, DMX512 (1990), DMX512-A, RDM V1.0 (E1.20 - 2010)
- Input: DMX512, DMX512 (1990), DMX512-A
- DMX Connector: (4) 3-pin screw terminal (2.5mm² max wire size)

DMX512 Ports

- Mode: floating
- Isolation: n/a
- ESD protection: 15 kV
- Electrocutation protection: 425 VAC continuous connection (self-healing)

Package Contents

- artLynx quad

Ordering Info

Product Code: artLynx quad

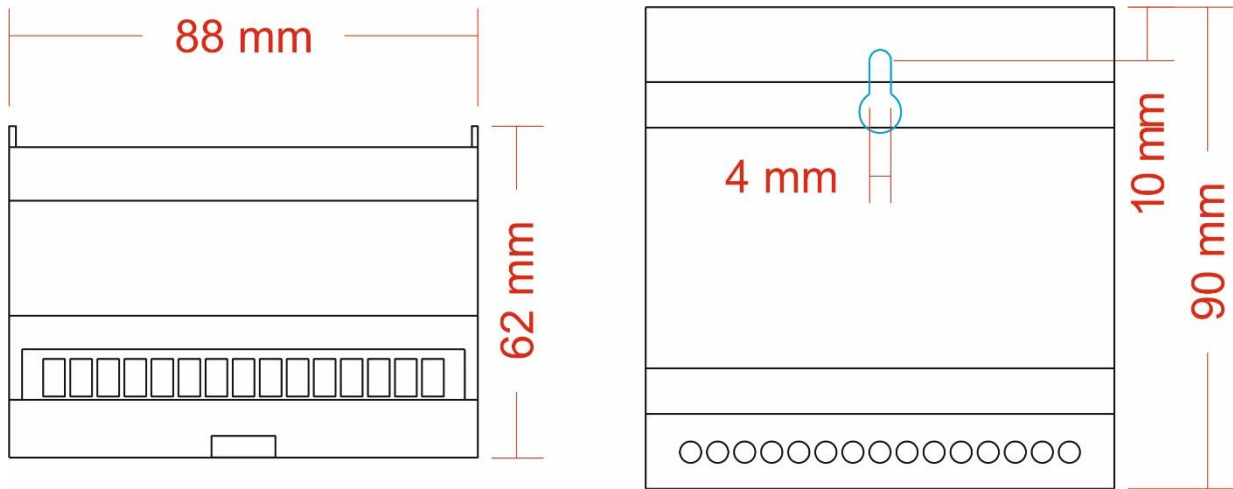
Accessories (not included):

PSU-24-0.75-FER

Art-Switch PoE4 & PSU-48-1-DR (powers up to 4 units)

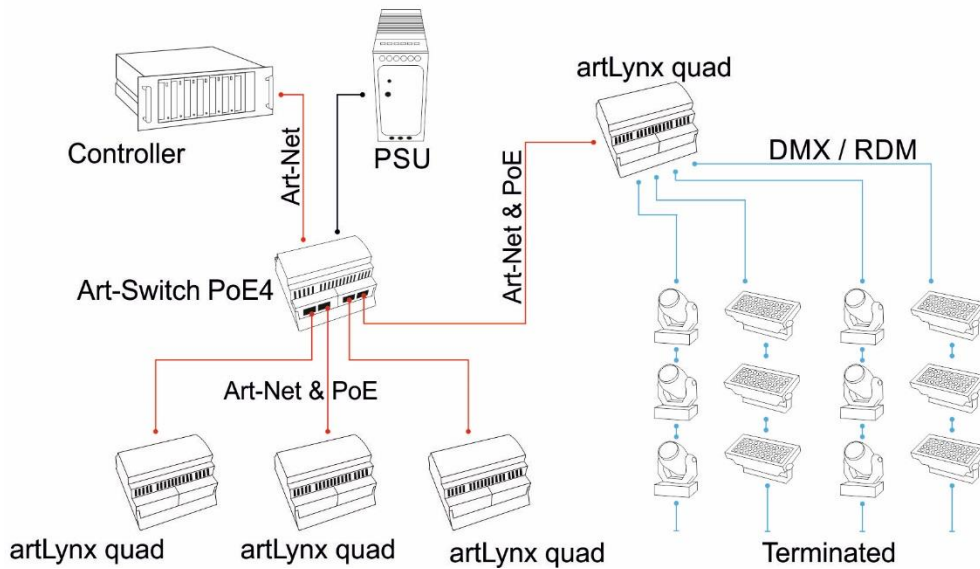


Mounting Drawing



Application Drawing

In this example, four artLynx quad products are powered using PoE supplied by an Art-Switch PoE4. Each artLynx quad can convert up to 4 Universes of data.



www.ArtisticLicence.com

Artistic Licence, The Mould Making Workshop
Soby Mews, Bovey Tracey, TQ13 9JG, UK

Sales@ArtisticLicence.com
Support@ArtisticLicence.com
Tel: +44 (0) 20 8863 4515

Due to our policy of continuing product improvement specifications are subject to change without notice

Artistic Licence

artLynx quad

Distributed in the UK by Experience Lighting Limited
Unit 12 Space Business Centre, Aylesbury, HP19 8FJ
www.experiencelighting.co.uk